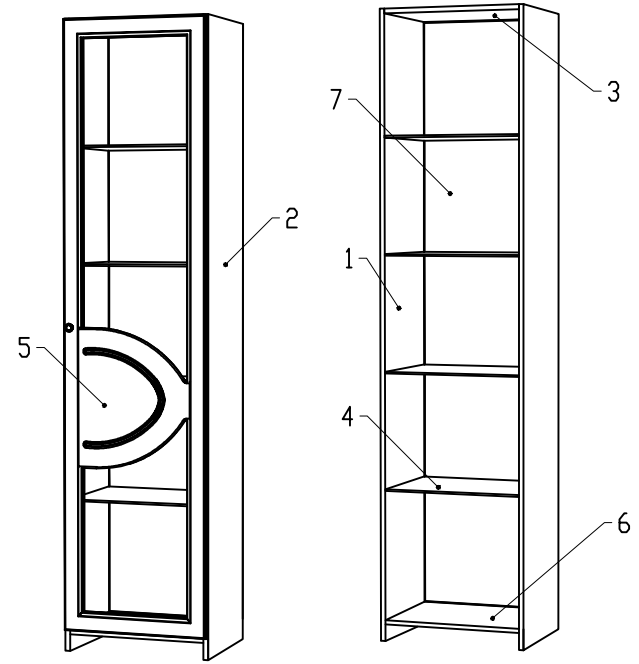
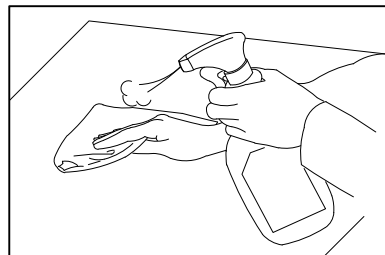
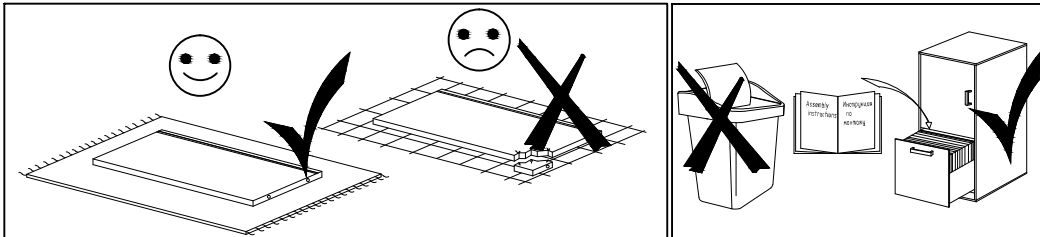
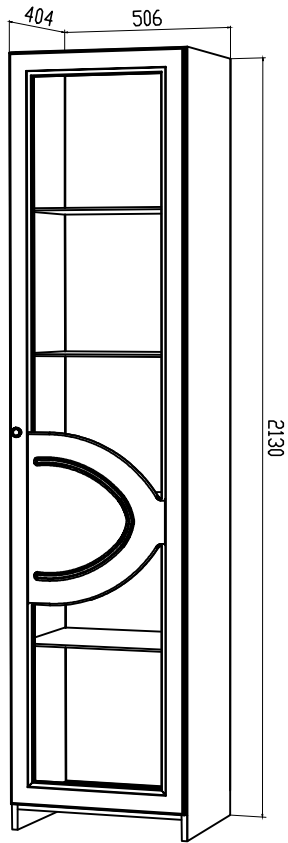
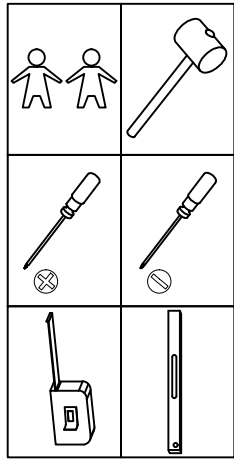


"PALERMO" Art. 08.143

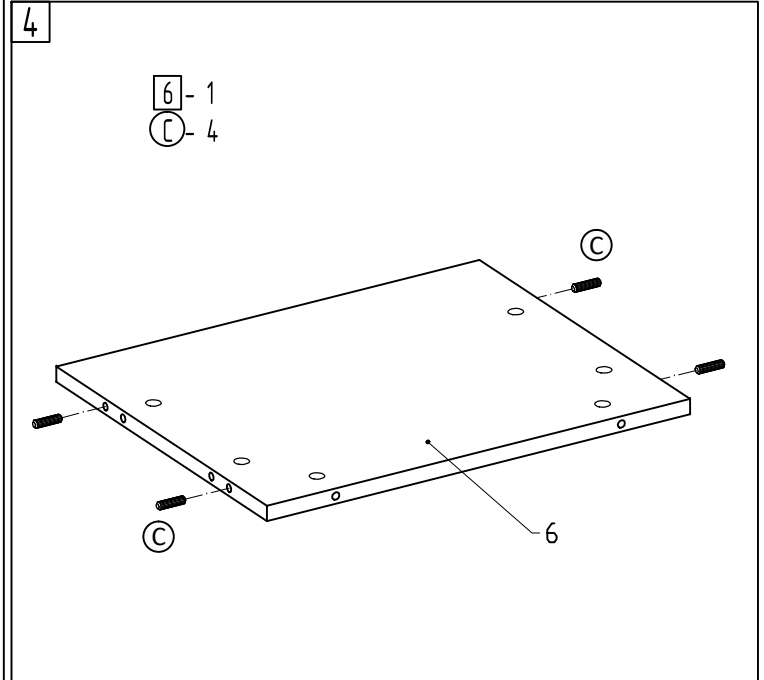
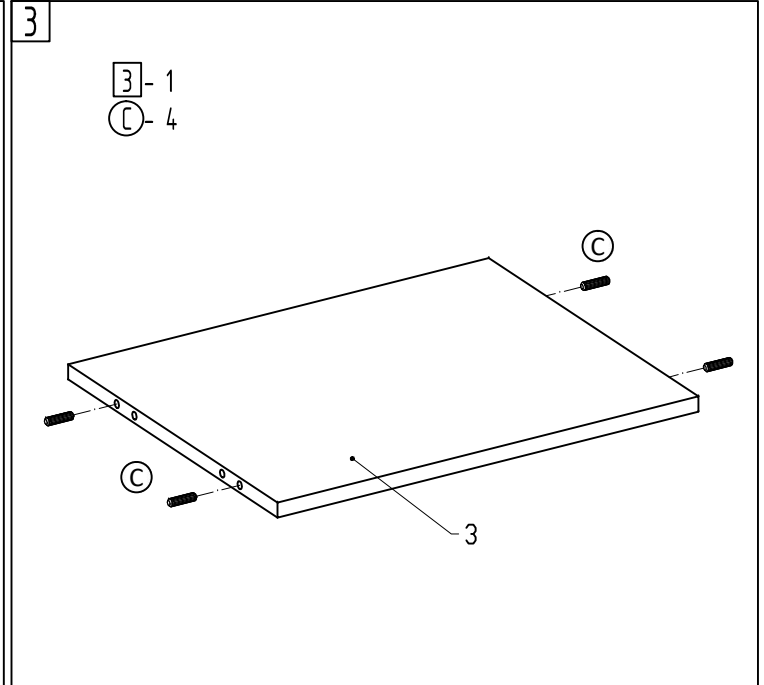
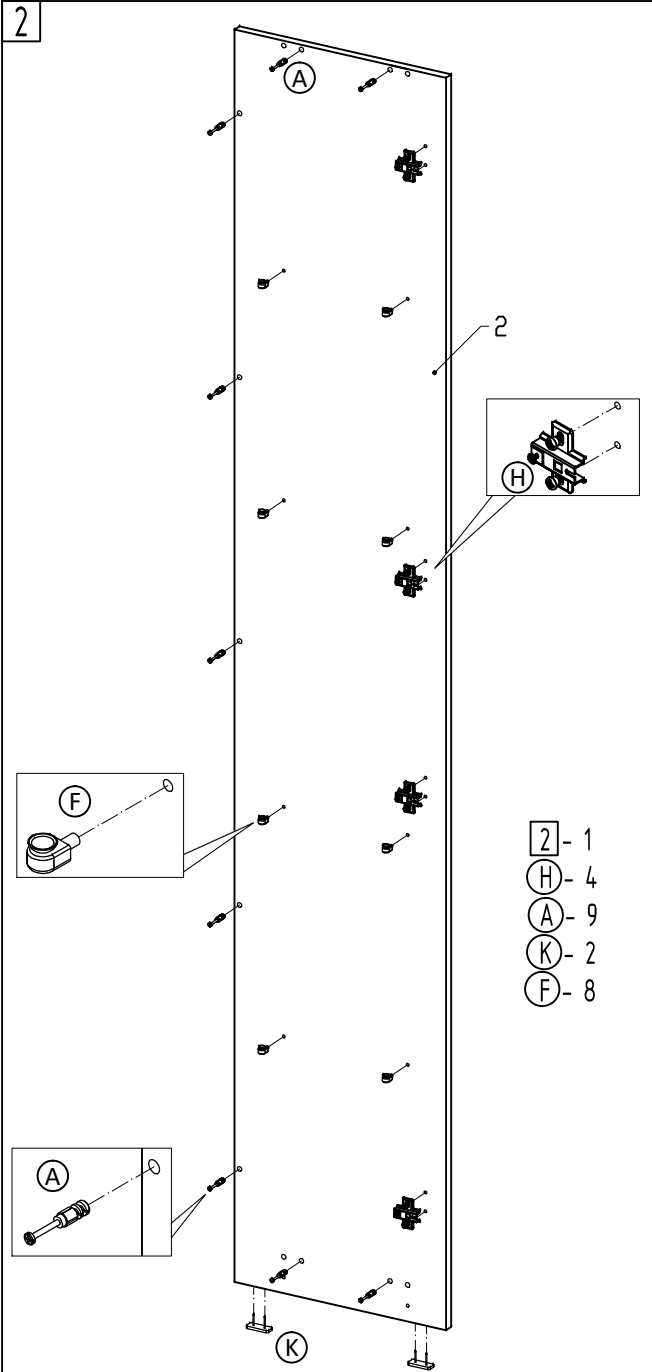
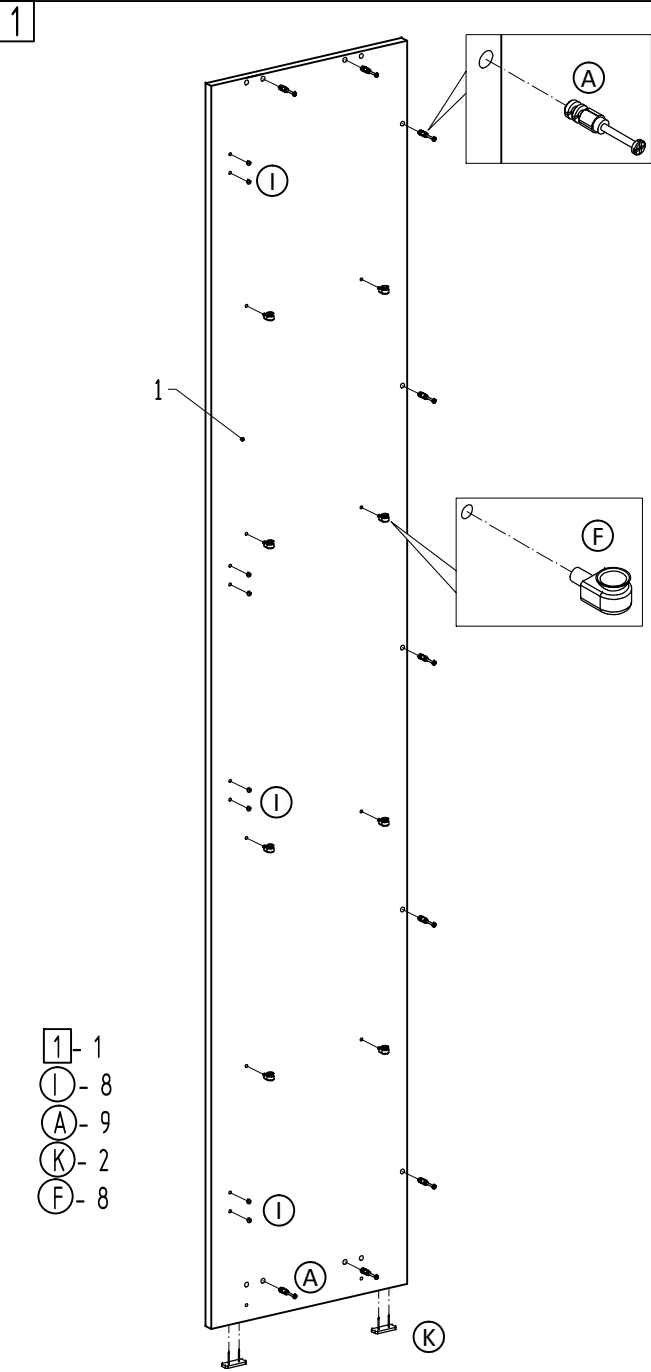


A	x18	B	x18	C	x8	D	x4	E	x2	F	x16
Rapid S		15x13		8x28		US 3,5x13		Airtic			
G	x4	H	x4	I	x8	J	x8	K	x4	L	x8
				d5		d15				US 3,5x16	
M	x1	N	x1	O	x1	P	x1	Q	x2	R	x1
		UP M4x28		80x40		8*50		UP 3,5x13		US 5x70	

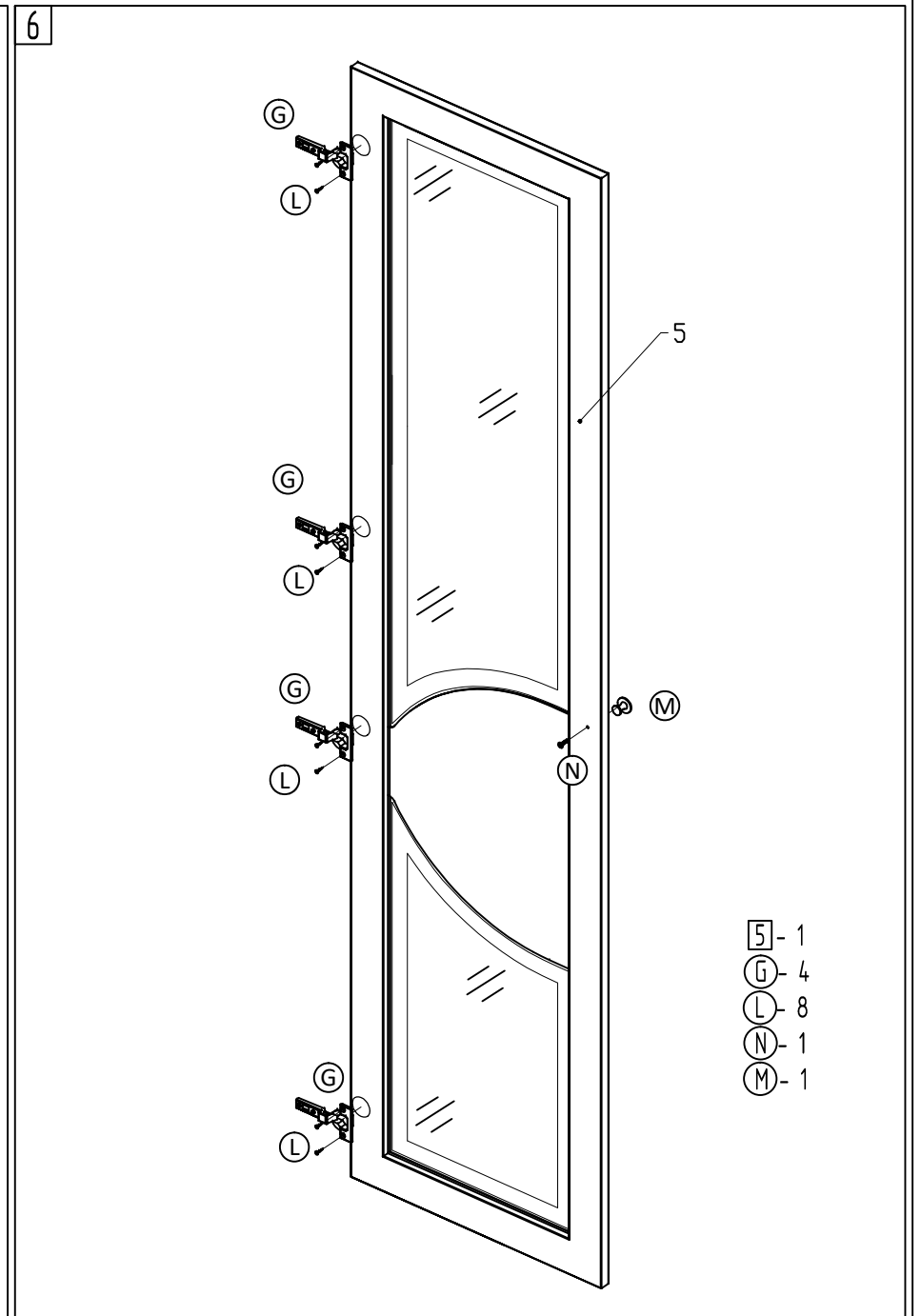
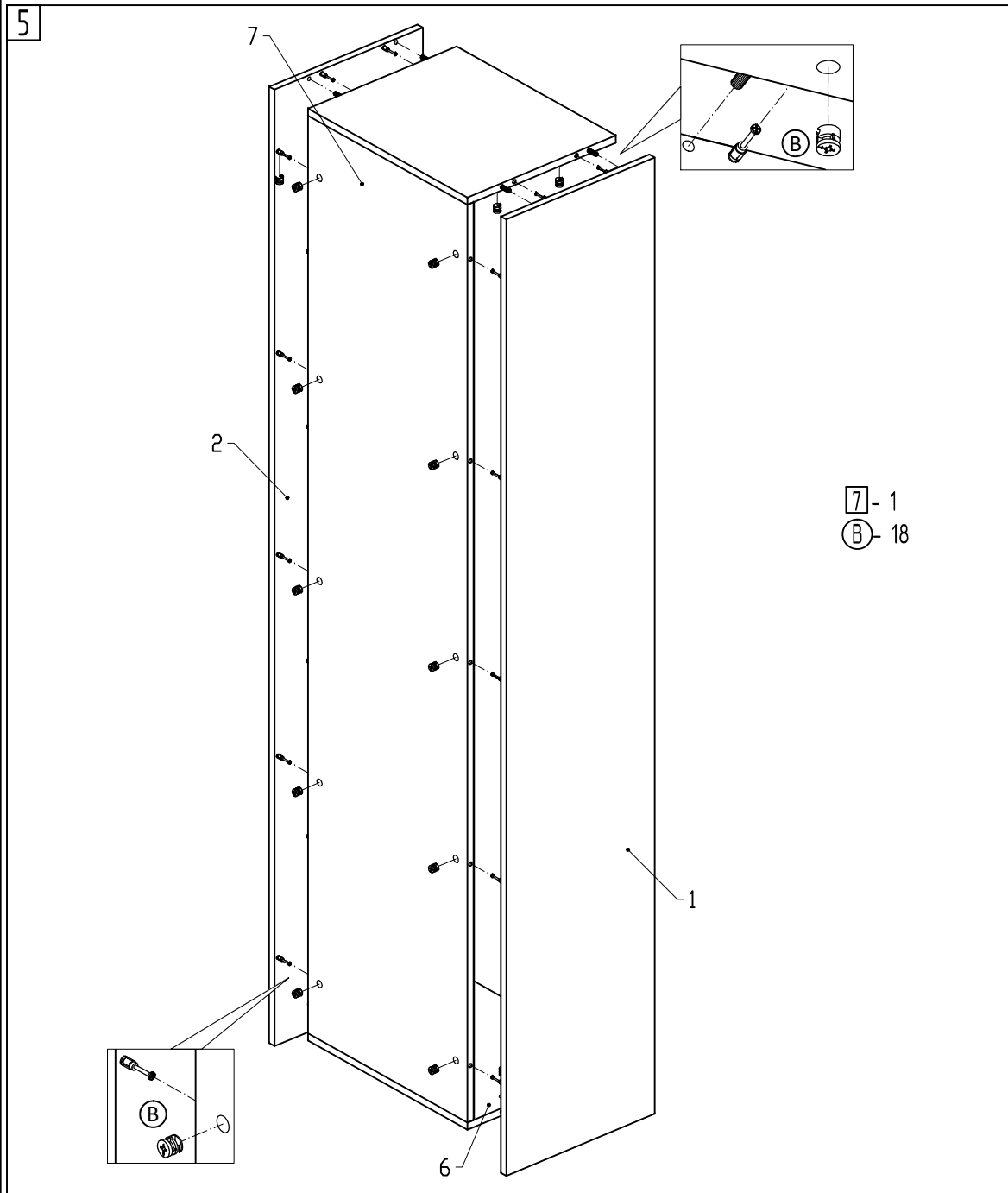
Packaging number	Contains	L*W*H	Quantity
1	1	2126*382*16	1
	2	2126*382*16	1
2	3	474*382*16	1
	4	471*350*4	4
	6	474*382*16	1
3	5	2050*500*22	1
	7	2040*474*20	1



"PALERMO" Art. 08.143

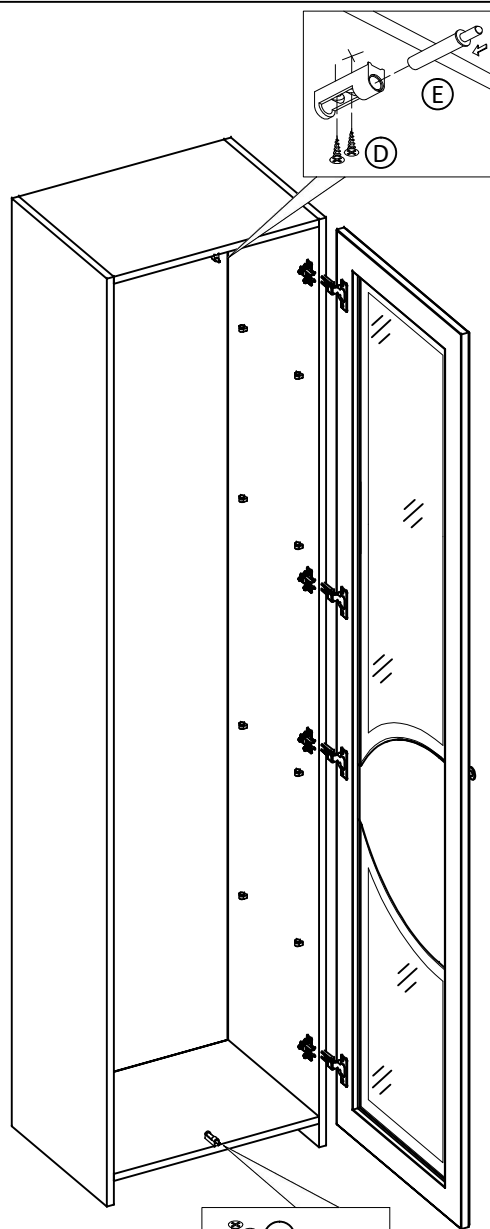


"PALERMO" Art. 08.143

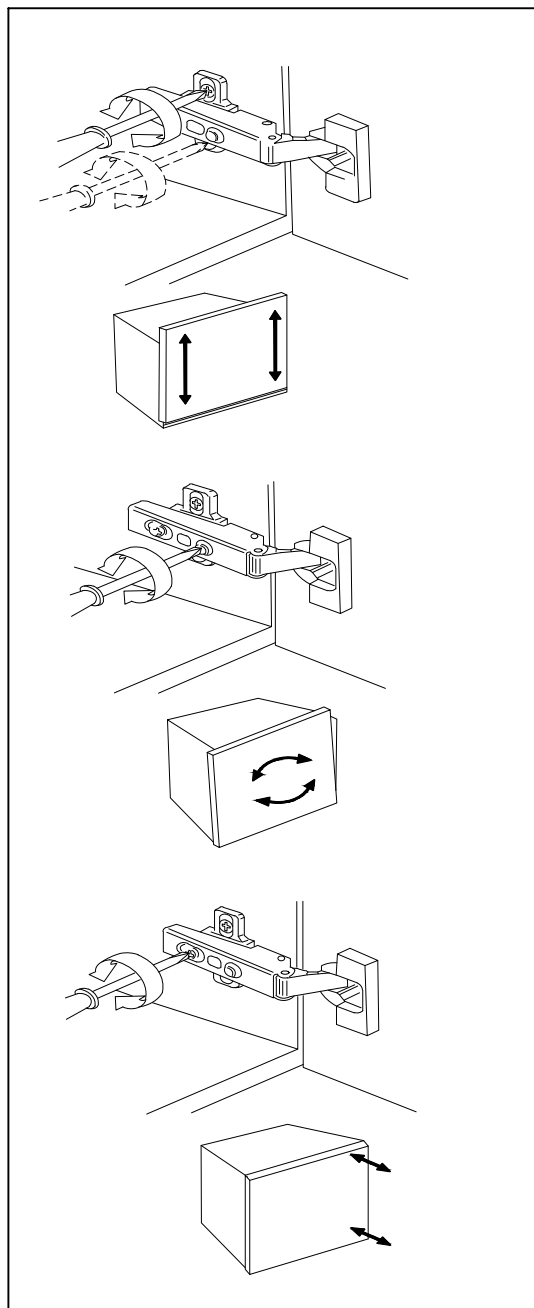
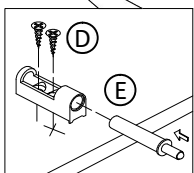


"PALERMO" Art. 08.143

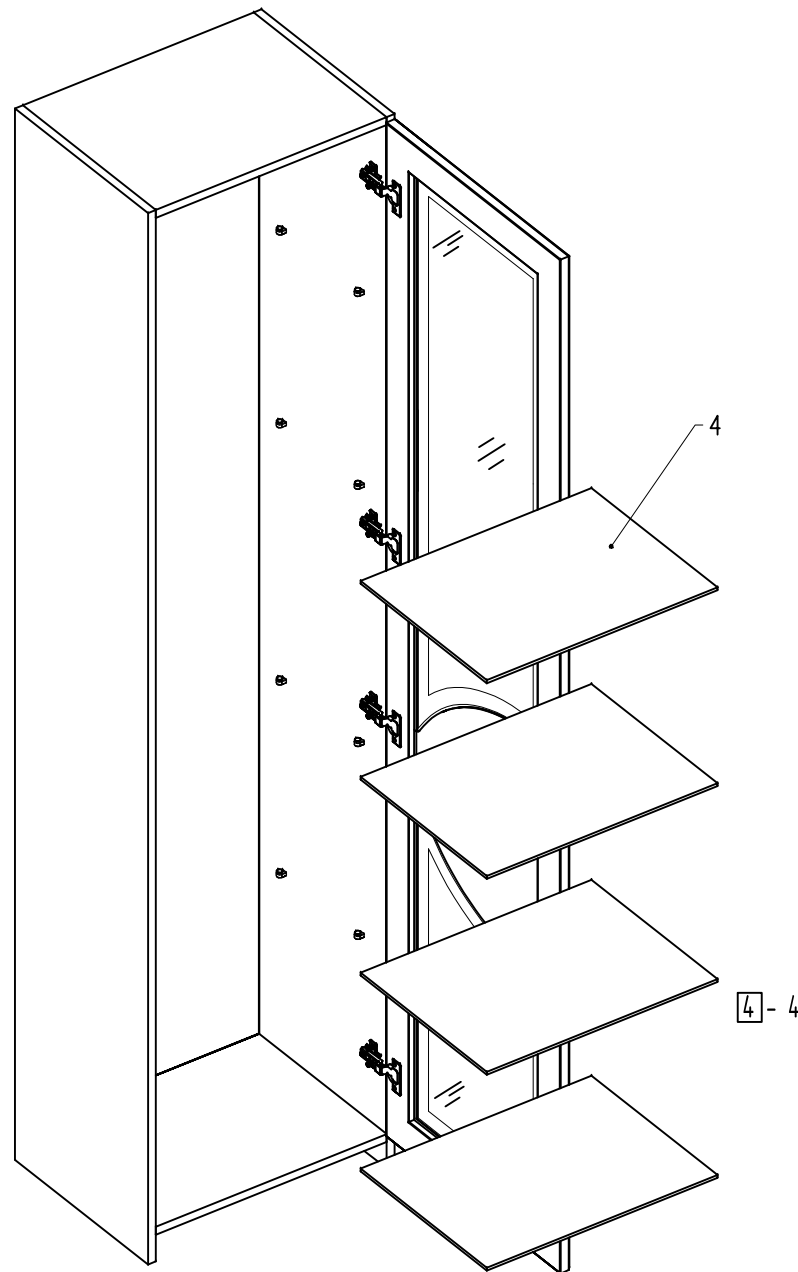
7



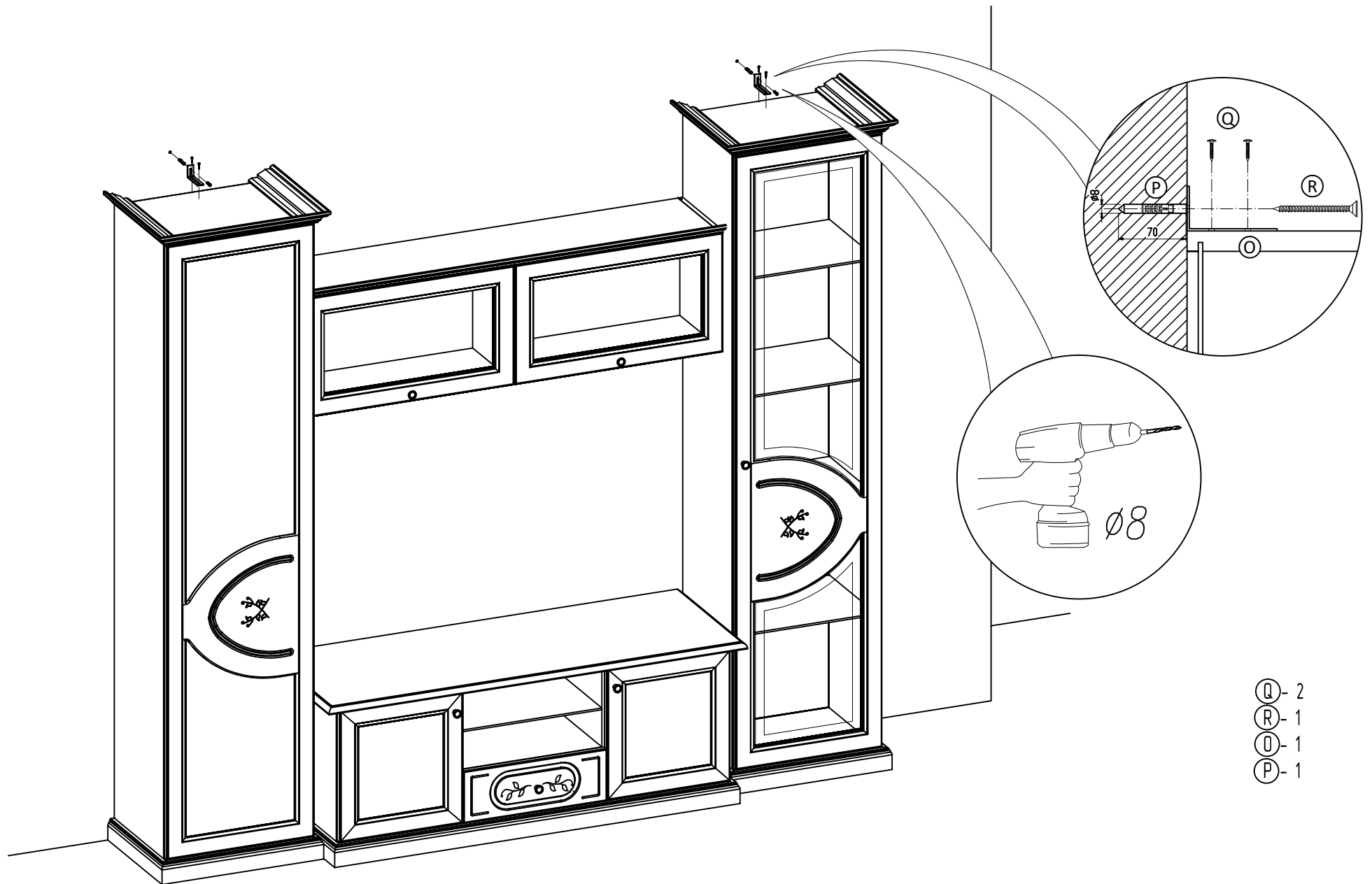
ⓓ - 4
ⓔ - 2



8



4 - 4



- Q - 2
- R - 1
- O - 1
- P - 1